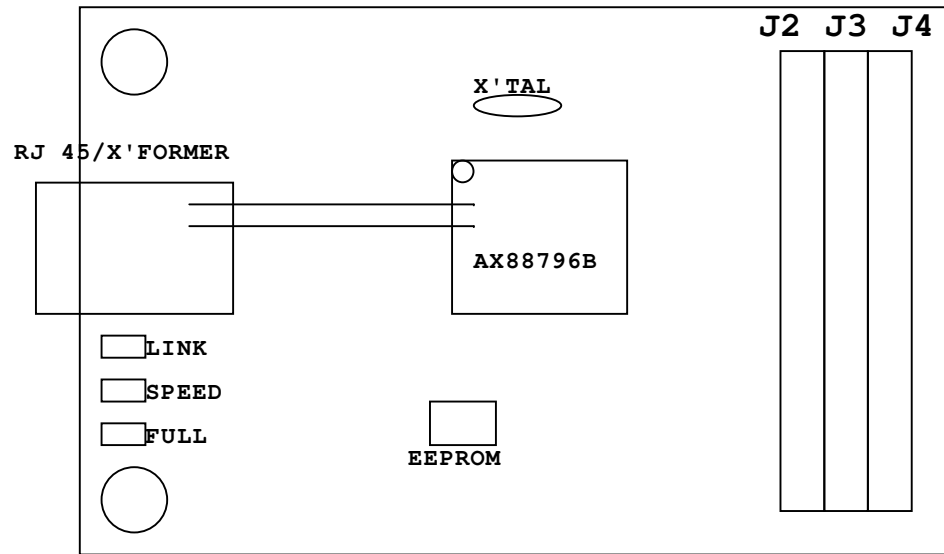


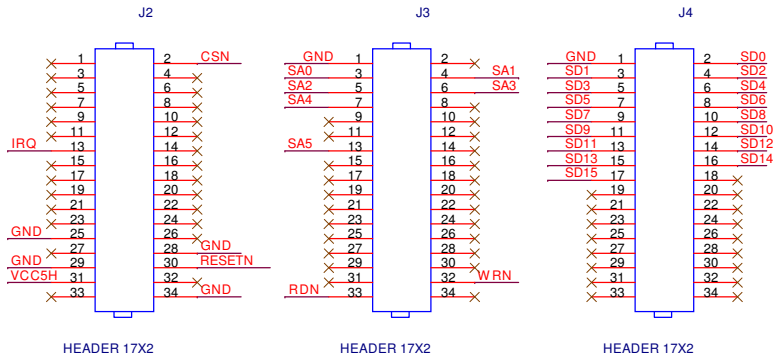
AX88796BLF --- S3C2440 Demo Board--- PCB BOARD V1.0

J2 J3 J4 -->S3C2440 INTERFACE



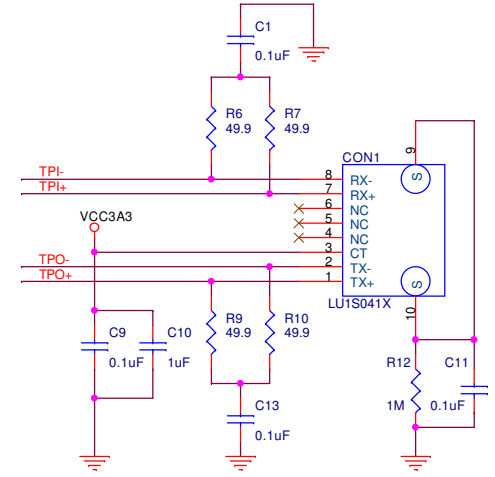
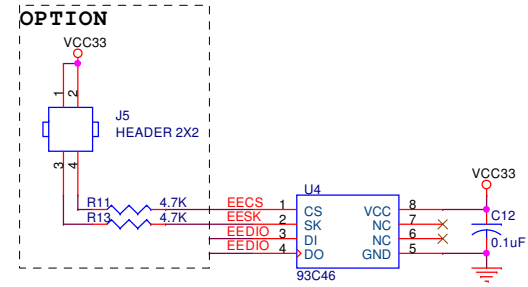
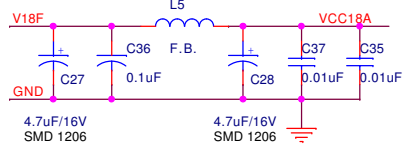
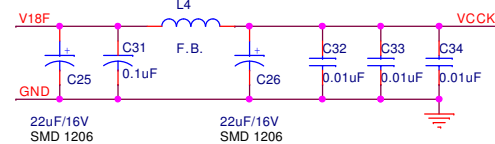
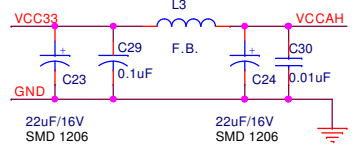
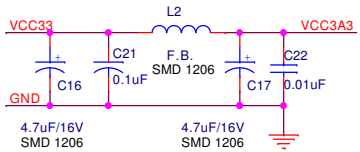
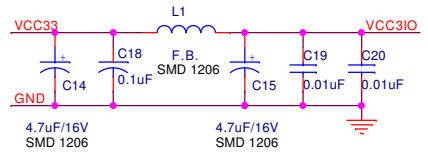
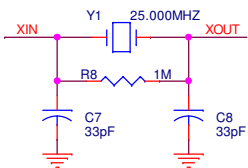
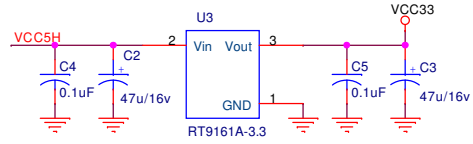
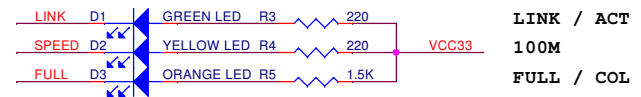
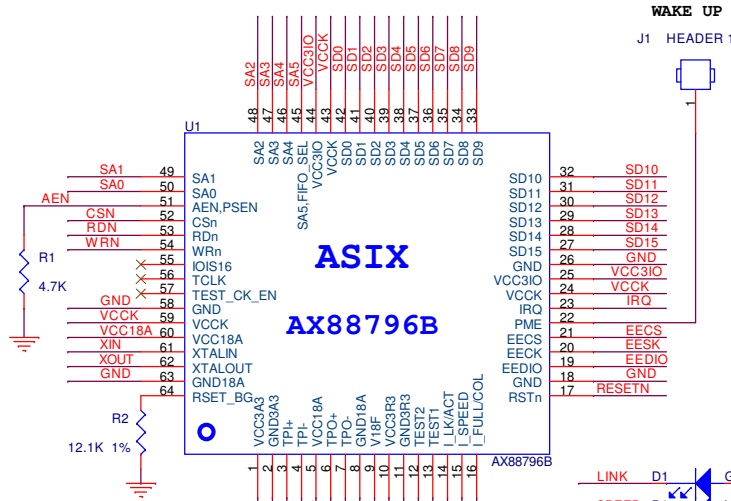
ASIX ELECTRONIC CORPORATION		
Title		
AX88796B-S3C2440 Demo Board		
Size	Document Number	Rev
A	<Doc>	1.3
Date:	Monday, April 23, 2007	Sheet 1 of 3

S3C2440 Interface



S3C2440 AX88796B

A0-> NC
A1-A5 A0-A4
A11 A5
WE# WRN
OE# RDN
EINT11 IRQ



ASIX ELECTRONICS CORPORATION		
Title AX88796B-S3C2440 Demo Board		
Size B	Document Number PCB BOARD V1.0	Rev 1.3
Date: Friday, April 27, 2007	Sheet 2	of 3

PCB BOARD V1.0

History :

V1.0 : First.

V1.1 : 2006/07/26 (Demo Board)

Delete R99

R2:12.1K 1%

V1.2: 2006/09/08

AX88796B PIN60 VCKK Change to VCC18A

AX88796B PIN63 GND Change to GND18A

Change Net Name "VCCA6" to VCC18A

C35 From VCKK Change to VCC18A

Remove U2,C6

V1.3 : 2007/04/20

U1 AX88796B PIN61 XTALOUT Change to XTALIN.

U1 AX88796B PIN62 XTALIN Change to XTALOUT.

C10 0.01uF Change to 1uF.

ASIX ELECTRONIC CORPORATION

Title

AX88796B-S3C2440 Demo Board

Size

A

Document Number

<Doc>

PCB BOARD V1.0

Rev

1.3

Date:

Friday, April 27, 2007

Sheet

3

of

3