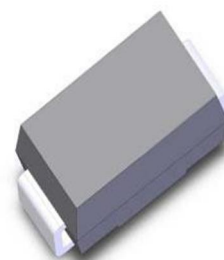


Features

- Glass passivated Standard rectifiers
- Ideal for automated placement
- Low forward voltage drop
- High forward surge capability
- Moisture sensitivity: level 1, per J-STD-020



Typical Applications

DO-214AC(SMA)

- For use of general purpose rectification in lighting, cellular phone, portable device, power supplies and other consumer applications.

Mechanical Data

- Case:DO-214AC, molded epoxy body , Epoxy meets UL 94V-0 flammability rating
- Terminal:Matte tin plated leads, solderable per J-STD-002 and JESD22B-106
- Polarity:Indicated by cathode band

Maximum Ratings and Electrical Characteristics										
(TA = 25 °C unless otherwise noted)										
Parameter	Symbol	M1	M2	M3	M4	M5	M6	M7	Unit	
Maximum repetitive peak reverse voltage	VRRM	50	100	200	400	600	800	1000	V	
Maximum RMS voltage	VRMS	35	70	140	280	420	560	700	V	
Maximum DC blocking voltage	VDC	50	100	200	400	600	800	1000	V	
Maximum average forward rectified current	IF(AV)	1								A
Peak forward surge current 8.3 ms single half sine-wave superimposed on rated load	IFSM	30.0								A
Maximum forward voltage at IF=1.0Amps	VF	1.1								Volts
Maximum DC reverse current at rated DC blocking	@Ta=25°C	5.0								uA
	@Ta=125°C	50.0								
Typical junction capacitance(Note1)	CJ	10.0								pF
Typical thermal resistance(Note2)	RθJA	75.0								°C / W
Typical thermal resistance(Note2)	RθJL	20.0								°C / W
Operating junction and storage temperature range	TJ, TSTG	- 55 to + 150								°C

Notes:1.Measured at 1.0MHz and applied reverse voltage of 4.0 D.C.

2.Thermal resistance from junction to lead, 0.197x0.197²(5.0x5.0mm)copper pads to each terminal



M1 thru M7

Surface Mount Glass Passivated Standard Rectifier
 Reverse Voltage 50~1000V Forward Current 1A

Ratings and Characteristics Curves

(TA = 25°C unless otherwise noted)

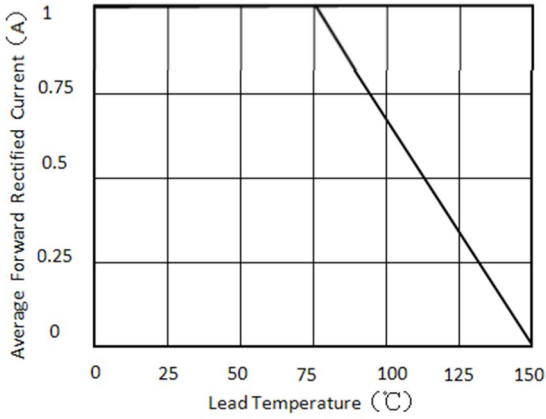


Figure 1. Forward Current Derating Curve

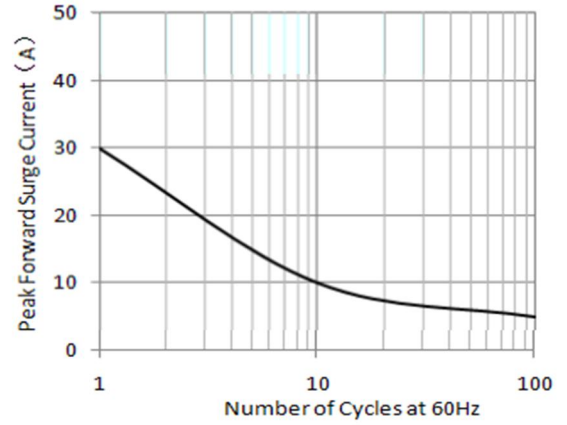


Figure 2. Maximum Non-Repetitive Peak Forward Surge Current

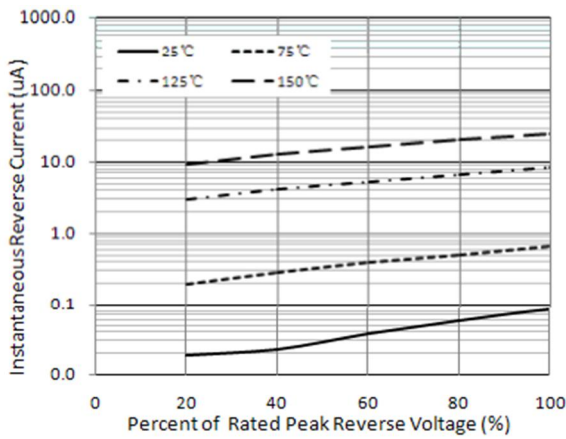


Figure 3. Typical Reverse Characteristics

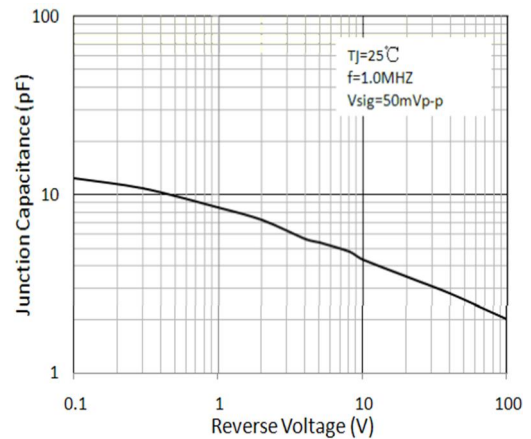


Figure 4. Typical Junction Capacitance

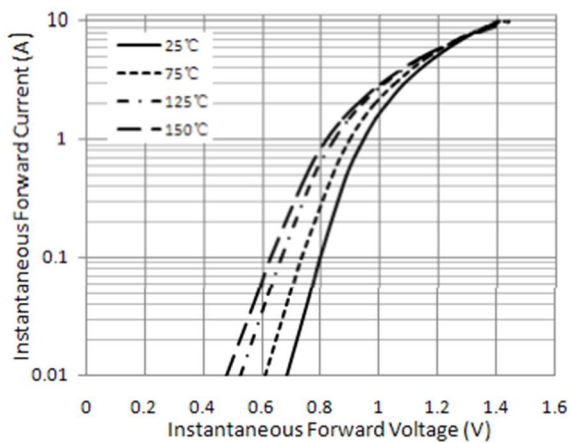
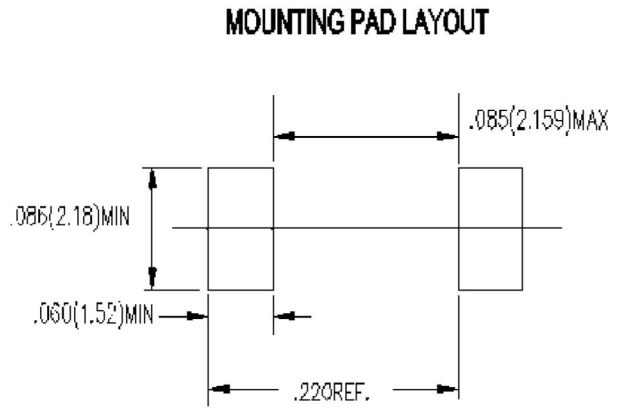
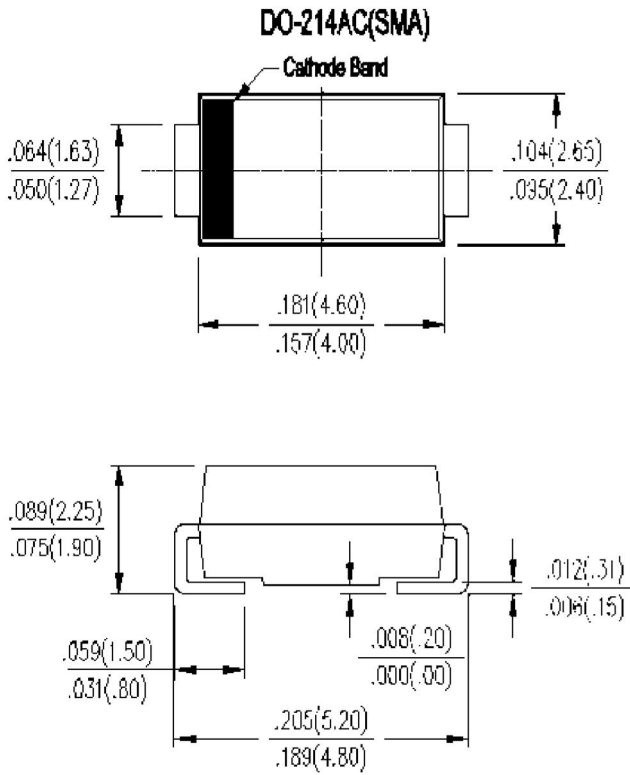


Figure 5. Typical Instantaneous Forward Characteristics

Package Outline Dimensions

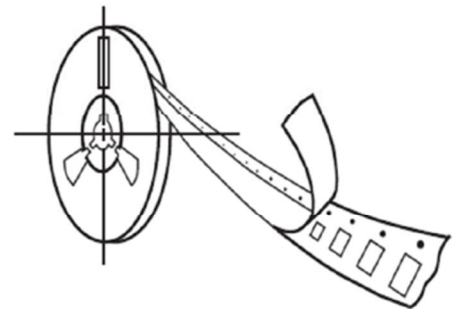
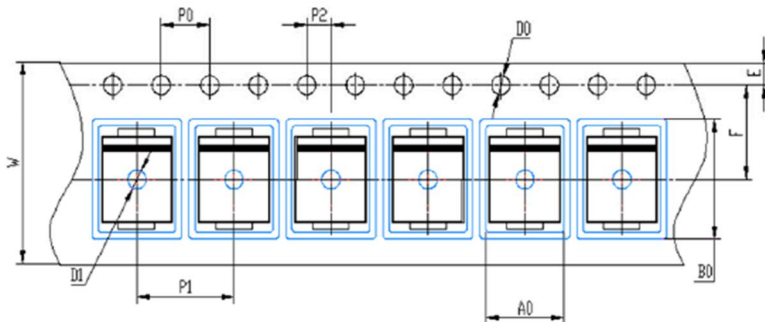
in inches (millimeters)



Packing Information

7500 pcs/Reel, 2 Reels/Box; 16mm Tape, 13" Reel

Tape & Reel Specification



Symbol	SMA (mm)
W	12 ± 0.2
E	1.75 ± 0.1
F	5.5 ± 0.05
D0	1.5 ± 0.1
D1	$1.50 +0.1/-0$
P0	4.0 ± 0.1
P1	4.0 ± 0.1
P2	2.0 ± 0.05
A0	2.65 ± 0.1
B0	5.25 ± 0.1



M1 thru M7

Surface Mount Glass Passivated Standard Rectifier
Reverse Voltage 50~1000V Forward Current 1A

Disclaimers

These materials are intended as a reference to assist our customers in the selection of the Suzhou Good-Ark product best suited to the customer's application; they do not convey any license under any intellectual property rights, or any other rights, belonging to Suzhou Good-Ark Electronics Co., Ltd. or a third party.

Suzhou Good-Ark Electronics Co., Ltd. assumes no responsibility for any damage, or infringement of any third-party's rights, originating in the use of any product data, diagrams, charts, programs, algorithms, or circuit application examples contained in these materials.

All information contained in these materials, including product data, diagrams, charts, programs and algorithms represents information on products at the time of publication of these materials, and are subject to change by Suzhou Good-Ark Electronics Co., Ltd. without notice due to product improvements or other reasons. It is therefore recommended that customers contact Suzhou Good-Ark Electronics Co., Ltd. or an authorized Suzhou Good-Ark Electronics Co., Ltd. for the latest product information before purchasing a product listed herein. The information described here may contain technical inaccuracies or typographical errors. Suzhou Good-Ark Electronics Co., Ltd. assumes no responsibility for any damage, liability, or other loss rising from these inaccuracies or errors. Please also pay attention to information published by Suzhou Good-Ark Electronics Co., Ltd. by various means, including our website home page.

(<http://www.goodark.com>)

When using any or all of the information contained in these materials, including product data, diagrams, charts, programs, and algorithms, Please be sure to evaluate all information as a total system before making a final decision on the applicability of the information and products. Suzhou Good-Ark Electronics Co., Ltd. assumes no responsibility for any damage, liability or other loss resulting from the information contained herein.

The prior written approval of Suzhou Good-Ark Electronics Co., Ltd. is necessary to reprint or reproduce in whole or in part these materials.

Please contact Suzhou Good-Ark Electronics Co., Ltd. or an authorized distributor for further details on these materials or the products contained herein.