

DESCRIPTION

The PT2315E is an audio processor designed for versatile application, includes master volume control with low frequency loudness compensation, speaker output attenuator and tone control. It is a good solution for the home audio signal processing.

Due to the high reliability requirement from the audio business, the PT2315E improves both audio performances and input surge current capability, these causes the PT2315E is the best solution for the cost-effective audio systems.

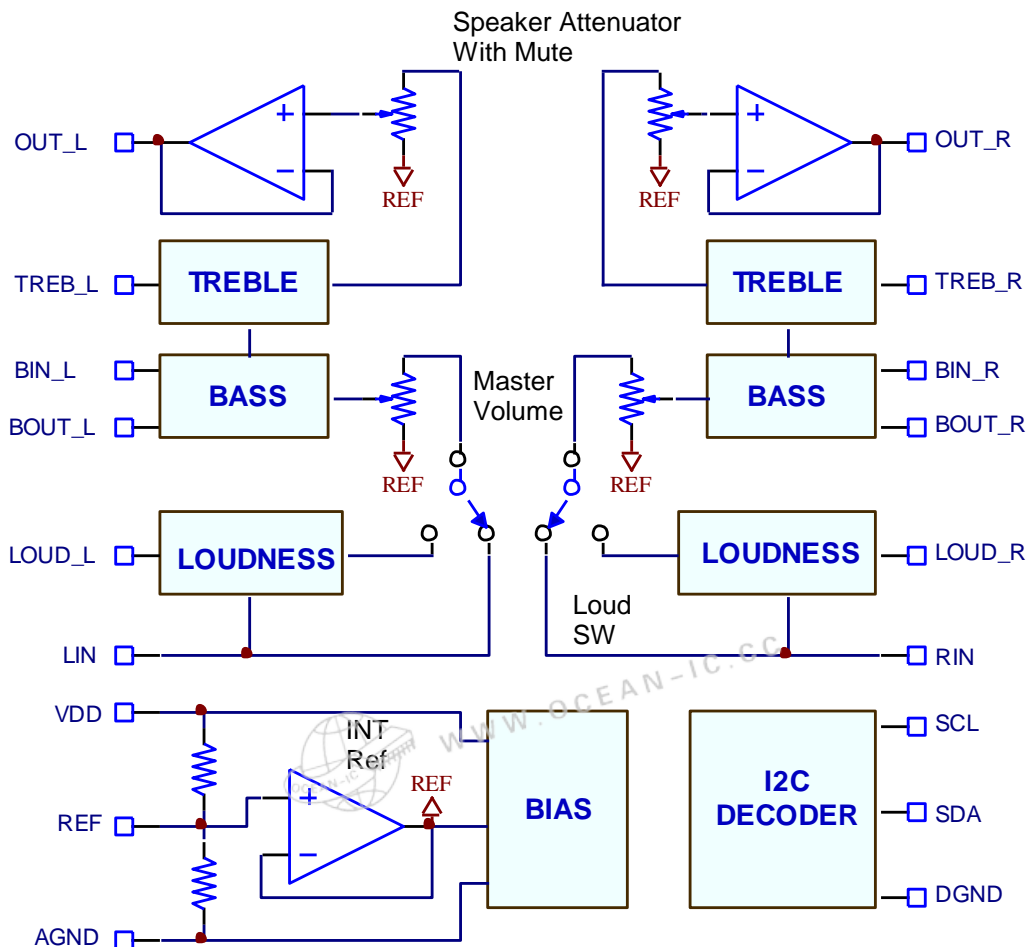
FEATURES

- Master volume from 0 dB to -78.75dB in 1.25dB/step
- Speaker attenuator for balance, range from 0dB to -38.75dB in 1.25dB/step
- Each channel output can be muted individually.
- Low frequency loudness compensation
- Bass and Treble control, range from -14dB to +14dB in 2dB/step
- Wide operation range (VDD=4V to 10V)
- Low harmonic distortion, low noise
- Improved and replace PT2315 and PT2315A

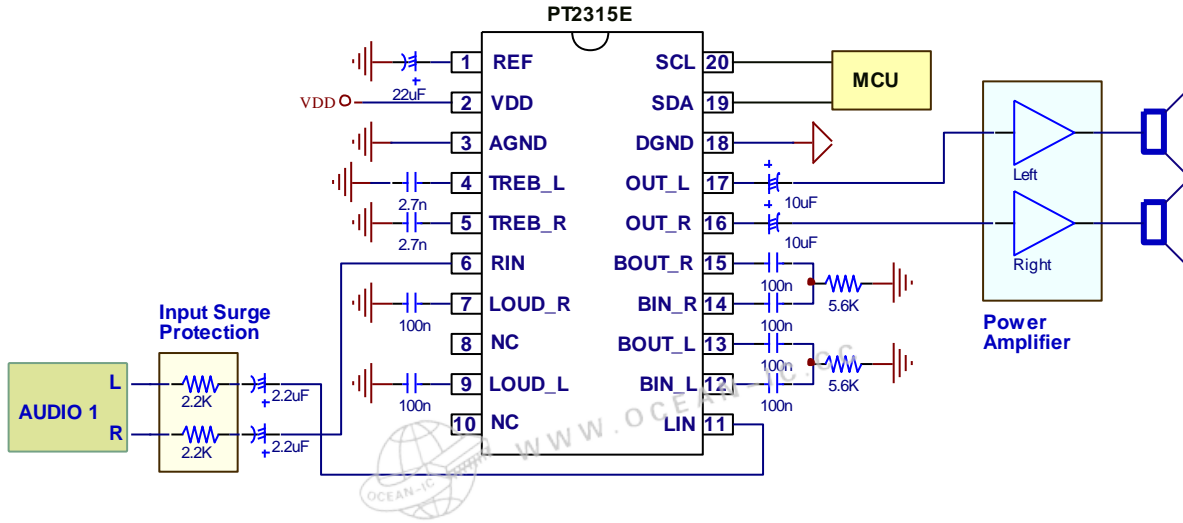
APPLICATIONS

- Flat Panel TV
- Home Audio System
- Powered Speaker System

BLOCK DIAGRAM



APPLICATION CIRCUIT

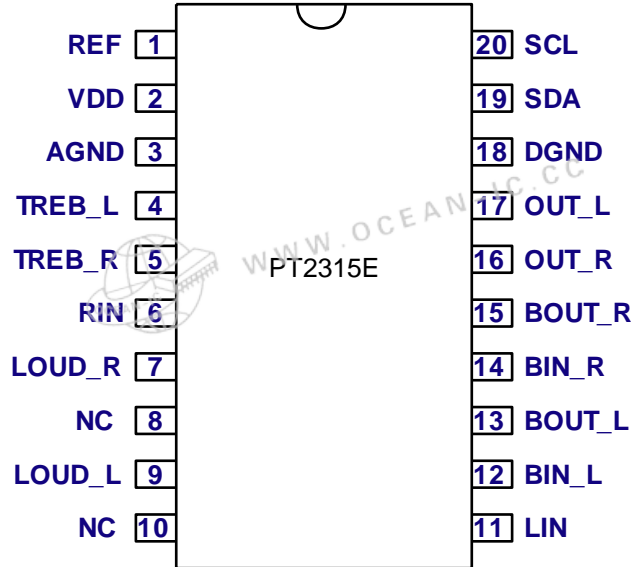



WWW.OCEAN-IC.CC

ORDER INFORMATION

Valid Part Number	Package Type	Top Code
PT2315E-S	20 Pins, SOP, 300mil	PT2315E

PIN CONFIGURATION



PIN DESCRIPTION

Pin Name	I/O	Description	Pin No.
REF	-	Analog reference voltage (1/2VDD)	1
VDD	-	Supply input voltage	2
AGND	-	Analog ground	3
TREB_L	I	Left channel input for treble controller	4
TREB_R	I	Right channel input for treble controller	5
RIN	I	Right channel volume controller input	6
LOUD_R	I	Right channel loudness input	7
NC		No connect	8
LOUD_L	I	Left channel loudness input	9
NC		No connect	10
LIN	I	Left channel volume controller input	11
BIN_L	I	Left channel input for bass controller	12
BOUT_L	O	Left channel output for bass controller	13
BIN_R	I	Right channel input for bass controller	14
BOUT_R	O	Right channel output for bass controller	15
OUT_R	O	Right rear speaker output	16
OUT_L	O	Left rear speaker output	17
DGND	-	Digital ground	18
SDA	I	I ² C data input	19
SCL	I	I ² C clock input	20



WWW.OCEAN-IC.CC

IMPORTANT NOTICE

Princeton Technology Corporation (PTC) reserves the right to make corrections, modifications, enhancements, improvements, and other changes to its products and to discontinue any product without notice at any time.

PTC cannot assume responsibility for use of any circuitry other than circuitry entirely embodied in a PTC product. No circuit patent licenses are implied.

Princeton Technology Corp.
2F, 233-1, Baociao Road,
Sindian, Dist., New Taipei City 23145, Taiwan
Tel: 886-2-66296288
Fax: 886-2-29174598
<http://www.princeton.com.tw>



WWW.OCEAN-IC.CC



WWW.OCEAN-IC.CC