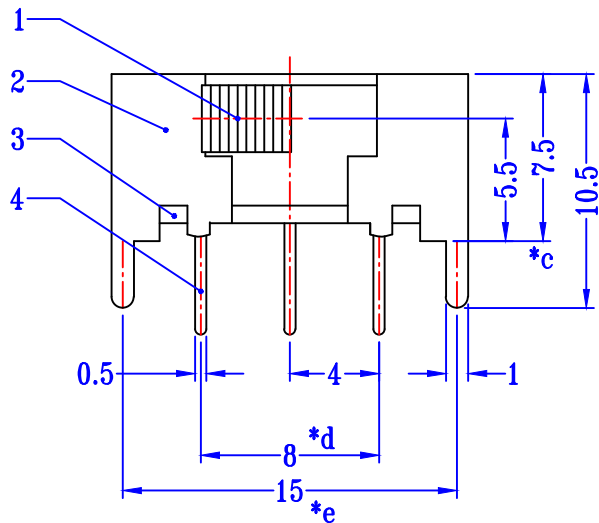
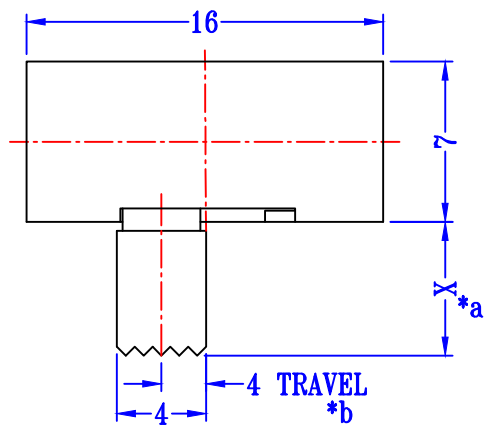
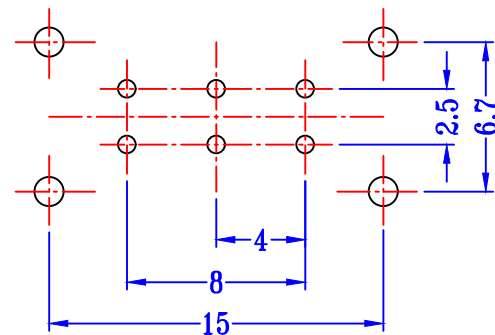
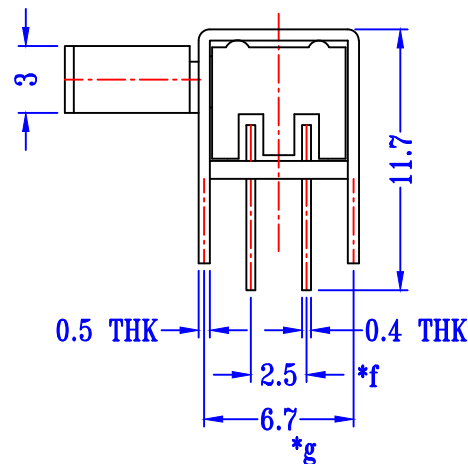




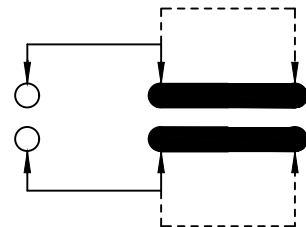
CAD FILE:



X=6mm±0.2mm



P.C.B LAYOUT
BOTTOM VIEW



SCHEMATIC (SHORTING)

注：“*”表示关键尺寸(7个).

NO.	PART NAME	MATERIAL	Q'TY	FINISHING	TOLERANCE UNLESS SPECIFIED					
8					WITHIN 1.5mm : ±0.1mm	A	2019-12-15	初版		李燕
7	CONTACT CLIP	PBS STRIP	2	Ag PLATED	OVER 1.5mm : ±0.2mm	ISSUE	DATE	DESCRIPTIONS OF REVISION		APPD.
6	SPRING	STEEL WIRE	1	NATURAL	TITLE : HORIZONTAL SLIDE SWITCH		UNIT : mm	DRWG NO.: DS-DR-SK22H03XX-00		
5	STEEL BALL	STEEL	1	NATURAL	MODEL: SK22H02 G6		SCALE: 3:1	DWN.	余小珍	2019-12-15
4	TERMINAL	BRASS STRIP	8	Ag PLATED	深圳市港源微键技术有限公司			CHK'D	李明	2019-12-15
3	BASE	PHENOLIC RESIN	1	NATURAL				APPD.	李燕	2019-12-15
2	FRAME	STEEL STRIP	1	Ni PLATED						
1	KNOB	POM	1	BLACK						