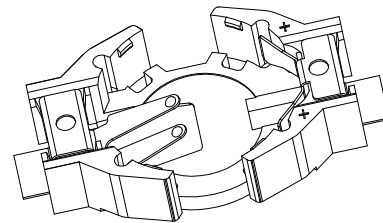
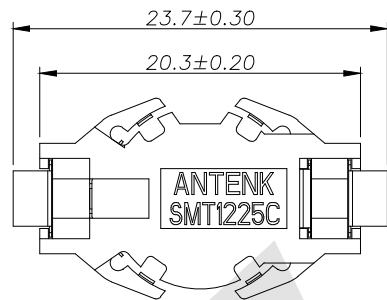


HSF



RoHS

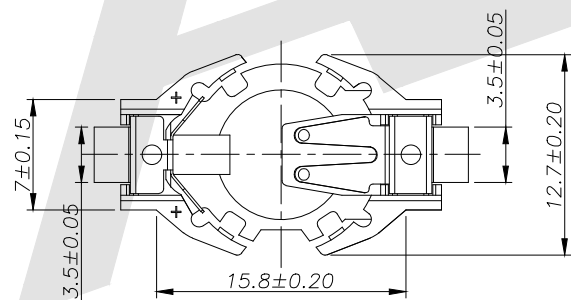
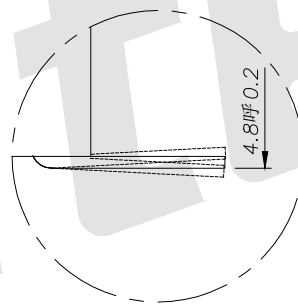
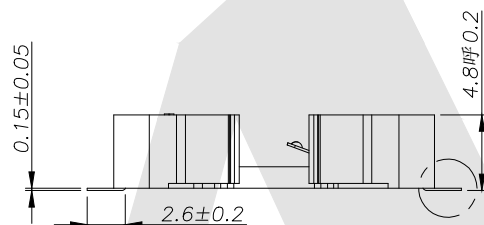


NOTES:

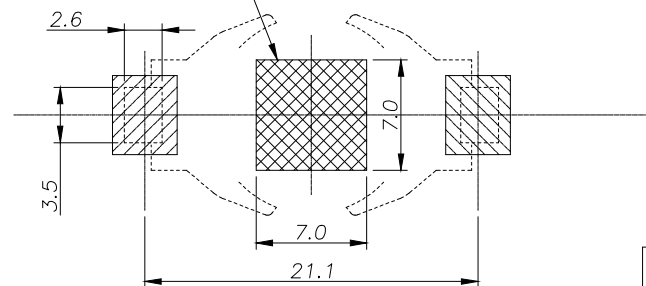
- 1. Housing: LCP E130i, UL94V-0 UL No:E106764 Colr:Nature
- 2. Contact: Spring Stainless Steel 301 First Grade, T=0.15mm High Temp Tin Plated 100-200U'' over Nickel 30U''
- 3. Working Temp: -40° C To +100° C

Order Code:

BT - M - SN - X -1225C  
 ① ② ③ ④ ⑤



Zone for adhesive fixation (as reference only)



- ① BT:Coin Cell Holders
- ② Apperance For The Product  
M:SMT TYPE
- ③ Contact Plating  
SN:Tin  
G0:Gold flash G1: 3U'' Gold  
G2: 5U'' Gold G3:10U'' Gold  
G4:15U'' Gold G5:30U'' Gold
- ④ Packing Method  
A: Tray Packing  
R: Tape & Reel Packing
- ⑤ Product Number  
1225C

Unless Otherwise specified tolerance  
 X. ±0.38 X.XX: ±0.20  
 X.X: ±0.25 X.XXX: ±0.10

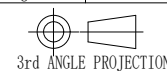
**Antenk** ANTEK ELECTRONICS CO.,LTD  
[Http://www.antenk.com](http://www.antenk.com)  
 E-mail:sales@antenk.com

SCALE: As Shown UNIT: mm  
 DRAW Gong Feng DATE 11/9/2020  
 CHECK BobYang DATE 11/09/2020

TITLE: Coin Cell Holders SMT For 1225C

DRAWING NO: BT-M-SN-X-1225C

PRODUCT NO: BT-M-SN-X-1225C



	Change BS to BT	01/12/2023
	Update	02/08/2021
REV	DESCRIPTION	DATE