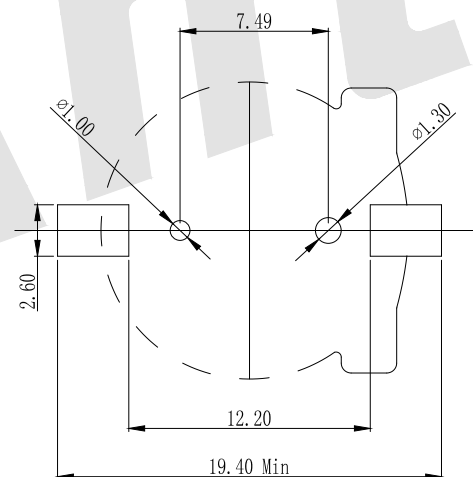
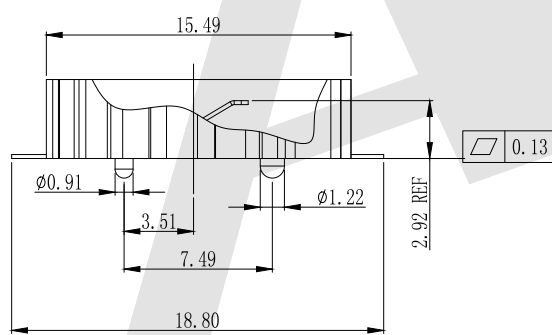
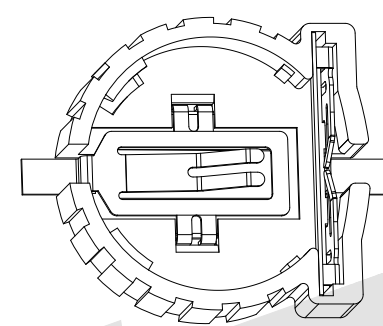
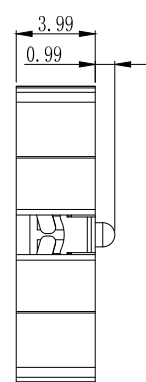
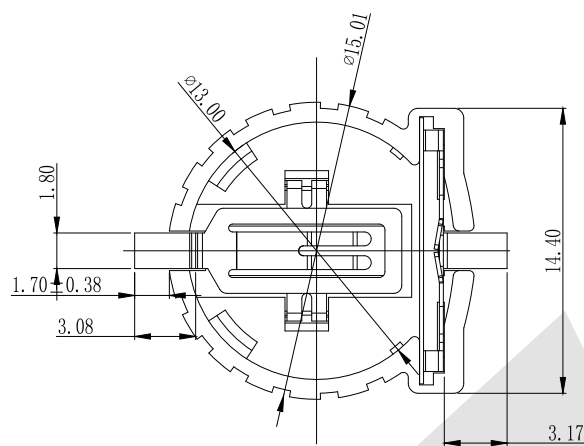


HSF



PCB LAYOUT (TOP VIEW)

Note/说明:

1. Material/材料:

- a. Housing/胶芯: PPS Color/颜色: Nature/自然色, UL94V-0
- b. Contact/端子: C5191黄铜
- c. Surface Plating/电镀: Au 金

2. Electric/电气性能:

- a. Contact Resistance/接触电阻: 30 Milliohms Max. 最大
- b. Insulation Resistance/绝缘电阻: 1000 Mega Ohms Min. 最小
- c. Dielectric Voltage/耐电压: 500 V AC/交流 One Sec Level 持续一秒

- d. Operating Temperature/工作温度: -30° C To +70° C

Order Code/订单编号:

△ BT - M - G0 - R - CR1220A
 ① ② ③ ④ ⑤

- ① BT: Coin Cell Holders/纽扣电池座
- ② Appearance For The Product/连接类型: M: SMT TYPE
- ③ Contact Plating/端子电镀
 SN: Tin/镀锡
 G0: Gold Flash/普金
 G1: 3U" Gold/金
 G2: 5U" Gold/金
 G3: 10U" Gold/金
 G4: 15U" Gold/金
 G5: 30U" Gold/金
- ④ Packing Method/包装方式
 A: Tray Packing/吸塑盒装
 R: Tape & Reel Packing/卷装
- ⑤ Product Number/产品序号
 CR1220A

Unless Otherwise specified tolerance
 X.±0.35 X.XX:±0.20
 X.X:±0.25 X.XXX:±0.15

SCALE: As Shown UNIT: mm
 DRAW ZLA DATE 10/09/2022
 CHECK BobYang DATE 10/09/2022

VER./版本号 A2 3rd ANGLE PROJECTION

Antenk® ANTENK ELECTRONICS CO., LTD
 Http://www.antenk.com
 E-mail: sales@antenk.com

TITLE: Coin Cell Holders For CR1220/
 纽扣电池座 CR1220

DRAWING NO: BT-M-G0-R-CR1220A
 PRODUCT NO:

A2	Update Drawing	03/15/2021
A1	Change BT-M-G0-CR1220B to BT-M-G0-R-CR1220A	07/11/2020
REV/版本	DESCRIPTION/修订内容	DATE/日期(M/D/Y)