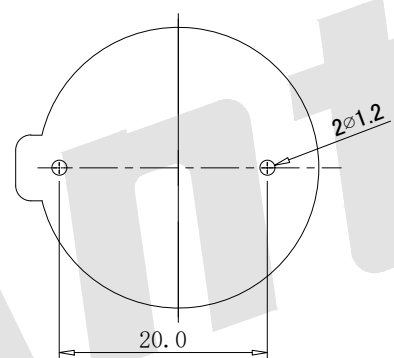
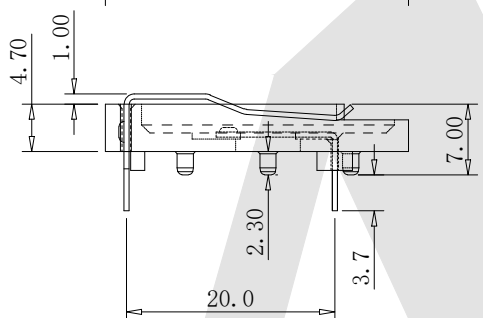
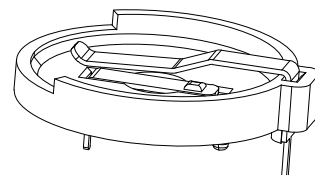
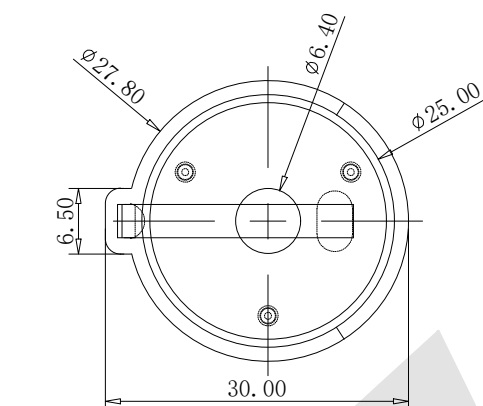


HSF



Recommend PCB Layout

NOTE:

1, Material:

- a. Housing: PA BK VO GF30.15
 - b. Contact: Manganese Steel (Surface Plating: Sn 10u")
- See Ordering Information

2, Electric:

- a. Contact Resistance: 30 Milliohms Max
- b. Insulation Resistance: 1000 MEGA OHMS Min
- c. Dielectric Voltage: 500V AC One Sea Level
- d. Operating Temperature: -55° To 105°

Order code:

BT - S - SN - R - CR2430D
 ① ② ③ ④ ⑤

- ① BT: Coin Cell Holders
 - ② Appearance for the product
 - ③ Contact Plating
- S: 180 TYPE

- SN: Tin
- G0: Gold flash
- G1: 3U" Gold
- G2: 5U" Gold
- G3: 10U" Gold
- G4: 15U" Gold
- G5: 30U" Gold

- ④ Packing method
A: Tray packing
R: Tape & reel packing
- ⑤ Product number
CR2430D

Unless otherwise specified tolerance
 X. ±0.35 X.XX: ±0.20
 X.X: ±0.25 X.XXX: ±0.15

SCALE: As Shown	UNIT: mm
DRAW Wu Feng Rong	DATE 10/01/2020
CHECK BobYang	DATE 01/13/2019

Antenk © ANTENK ELECTRONICS CO.,LTD
 Http://www.antenk.com
 E-mail:sales@antenk.com

TITLE:
Coin Cell Holders For CR2430

DRAWING NO: BT-S-SN-R-CR2430D
 PRODUCT NO: BT-S-SN-R-CR2430D

1	△ Revise Contact Material	19/08/2022
1	△ Revise Dimension Depend Sample	07/02/2022
REV	DESCRIPTION	DATE

