

TABLE 1	
LEAD STYLE	BOARD SPACE WHEN MATED WITH WTOLC
02	6.35mm

DO NOT SCALE FROM THIS PRINT

WSOLC-4x XX H XX X Q XX X XX

FOUR ROWS

NO OF POSITIONS
05, 10, 15, 20, 25
30, 35, 40, 45, 50
(PER ROW)

LEAD STYLE
02

PLATING SPEC
F: 3μ" GOLD IN CONTACT AREA
3μ" GOLD ON TAIL
L: 10μ" GOLD IN CONTACT AREA
3μ" GOLD ON TAIL
S: 30μ" GOLD IN CONTACT AREA
3μ" GOLD ON TAIL

PACKAGING
BLANK: TUBES (SEE NOTE 2)
TR: TAPE & REEL

PICK & PLACE OPTION
P: PICK & PLACE PAD
K: POLYIMIDE FILM PAD

OPTIONS
LC: LOCKING CLIP (SEE FIG 2, SHT 2) (SEE NOTE 5)
NOT AVAILABLE WITH A
A: ALIGNMENT PINS (SEE FIG 3, SHT 2)
(NOT AVAILABLE WITH LC)

ROW SPEC
-Q: QUAD

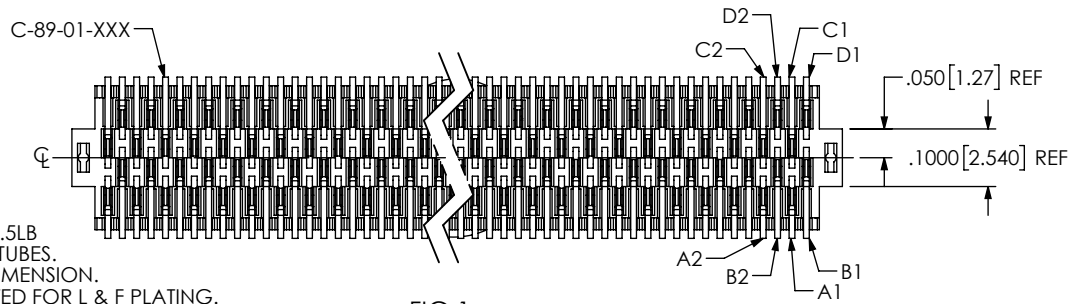
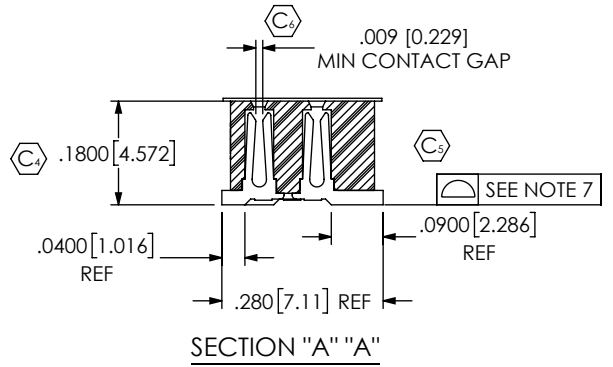
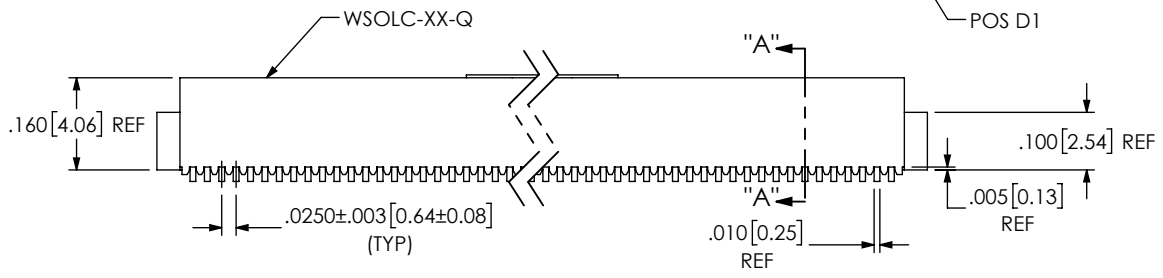
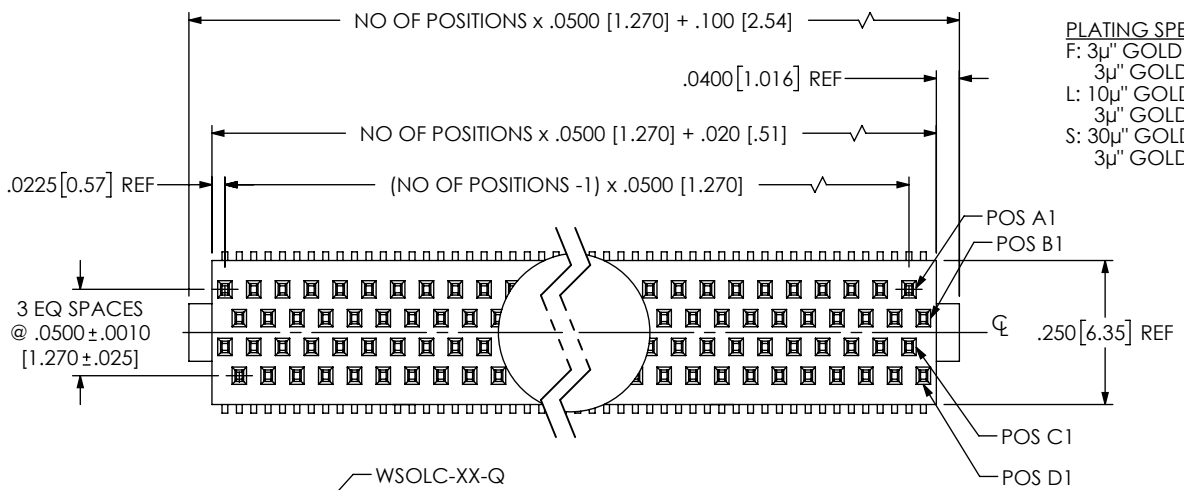


FIG 1

- NOTES:
1. MINIMUM PUSHOUT FORCE: .5LB
 2. PARTS TO BE PACKAGED IN TUBES.
 3. Ⓢ INDICATES A CRITICAL DIMENSION.
 4. S PLATING CAN BE SUBSTITUTED FOR L & F PLATING.
 5. DUE TO THE HIGH AMOUNT OF INSERTION FORCE NEEDED, THE LC OPTION IS NOT COMPATIBLE WITH AUTO PLACEMENT. WORLDPO RECOMMENDS MANUAL PLACEMENT FOR ALL ASSEMBLIES WITH THE LC OPTION.
 6. INSULATOR MATERIAL: LCP, UL 94 V0
 7. COPLANARITY:
05 THRU 30 POSITION: .0040 [.102]
35 THRU 50 POSITION: .0060 [.152]
 8. ORDERS WILL BE PACKAGED ACCORDING TO THE WORLDPO PACKAGING EFFICIENCY STANDARDS (SPES) FOUND ON
 9. ATTACH LABEL TO EACH REEL

UNLESS OTHERWISE SPECIFIED, DIMENSIONS ARE IN INCHES.

TOLERANCES ARE:

DECIMALS	ANGLES
.XX: ±.01 [0.3]	5°
.XXX: ±.005 [0.13]	
.XXXX: ±.0020 [0.051]	

PROPRIETARY NOTE

THIS DOCUMENT CONTAINS CONFIDENTIAL AND PROPRIETARY INFORMATION AND ALL DESIGN, MANUFACTURING, REPRODUCTION, USE, PATENT RIGHTS AND SALES RIGHTS ARE EXPRESSLY RESERVED BY WORLDPO, INC. THIS DOCUMENT SHALL NOT BE DISCLOSED, IN WHOLE OR PART, TO ANY UNAUTHORIZED PERSON OR ENTITY NOR REPRODUCED, TRANSFERRED OR INCORPORATED IN ANY OTHER PROJECT IN ANY MANNER WITHOUT THE EXPRESS WRITTEN CONSENT OF WORLDPO.

WORLDPO

Shenzhen WorldPO Precision Devices Co., LTD

TEL: +86 013316922511 GU@WORLDPO.COM

DO NOT SCALE DRAWING SHEET SCALE: 3:1

MATERIAL:
INSULATOR: VECTRA E130I, COLOR: BLACK
CONTACT: PHOS BRONZE

MAX FLASH ALLOWED: .002 [0.05]
MAX GATE VESTIGE: .002 [0.05]

DESCRIPTION:
QUAD ROW STAGGERED SMT SOCKET ASM

DWG. NO.
WSOLC-4x XX H XX X Q XX X XX

BY: TIM P. 2/10/2023 SHEET 1 OF 2

FIG 2
LC OPTION
(DIFFERENT AS SHOWN, OTHER WISE SAME AS FIG 1)

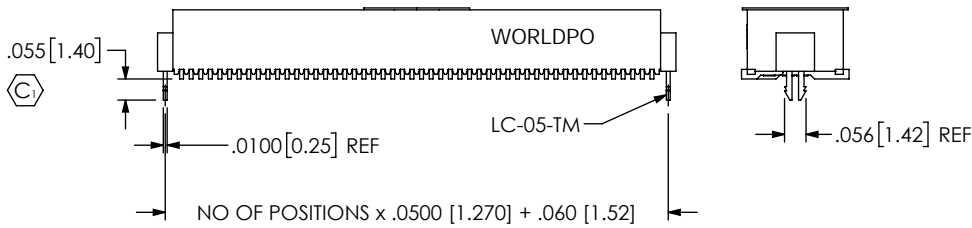


FIG 4
-P OPTION
(DIFFERENT AS SHOWN, OTHER WISE SAME AS FIG 1)

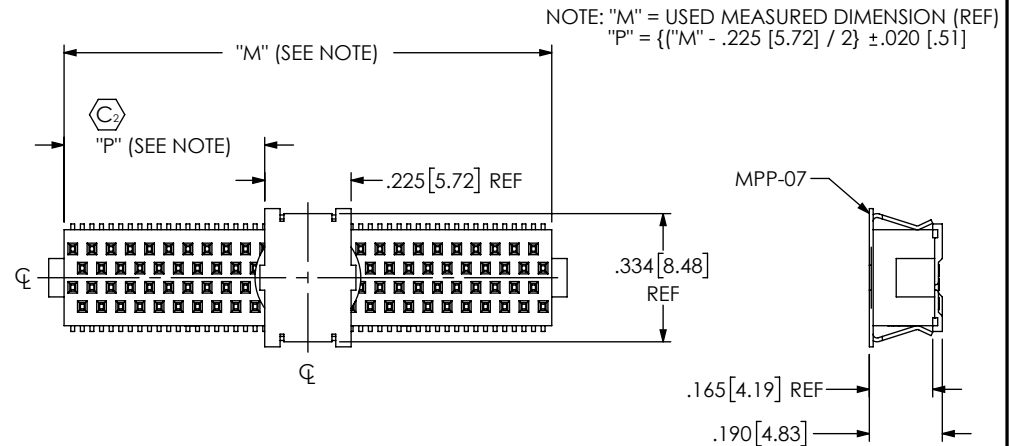


FIG 3
A MOLDED
(DIFFERENT AS SHOWN, OTHER WISE SAME AS FIG 1)

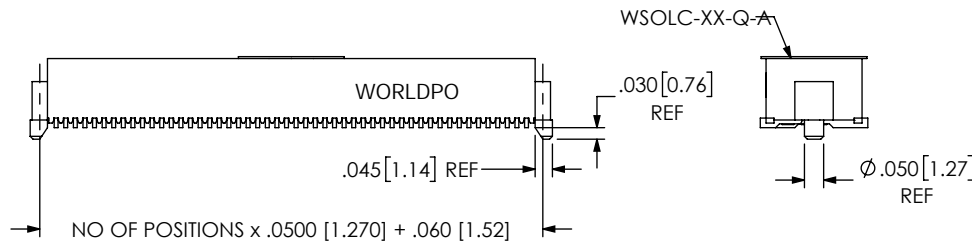
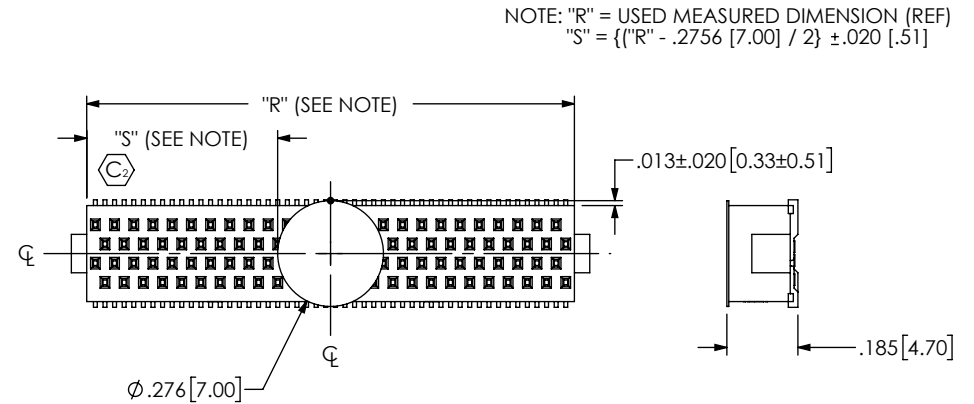
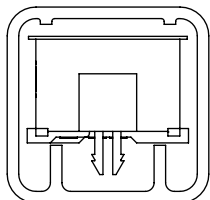


FIG 5
-P POLYIMIDE FILM PAD
(DIFFERENT AS SHOWN, OTHER WISE SAME AS FIG 1)

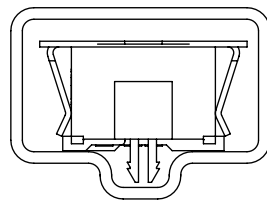


PACKAGING VIEW

TABLE		
NO OPTION, LC, A, K, K LC, K A	PT-1-24-11-63	TP-09
P, P LC, P A	PT-1-24-01-61	TP-03



PT-1-24-11-63 TUBE
TP-09 PLUG



PT-1-24-01-61 TUBE
TP-03 PLUG

PROPRIETARY NOTE
THIS DOCUMENT CONTAINS CONFIDENTIAL AND PROPRIETARY INFORMATION AND ALL DESIGN, MANUFACTURING, REPRODUCTION, USE, PATENT RIGHTS AND SALES RIGHTS ARE EXPRESSLY RESERVED BY WORLDPO, INC. THIS DOCUMENT SHALL NOT BE DISCLOSED, IN WHOLE OR PART, TO ANY UNAUTHORIZED PERSON OR ENTITY NOR REPRODUCED, TRANSFERRED OR INCORPORATED IN ANY OTHER PROJECT IN ANY MANNER WITHOUT THE EXPRESS WRITTEN CONSENT OF WORLDPO.

DO NOT SCALE DRAWING

SHEET SCALE: 2:1

WORLDPO

Shenzhen WorldPO Precision Devices Co., LTD

TEL : +86 013316922511 GU@WORLDPO.COM

DESCRIPTION:
QUAD ROW STAGGERED SMT SOCKET ASM

DWG. NO.
WSOLC-4x XX H XX X Q XX X XX

BY: TIM P. 2/10/2023 SHEET 2 OF 2