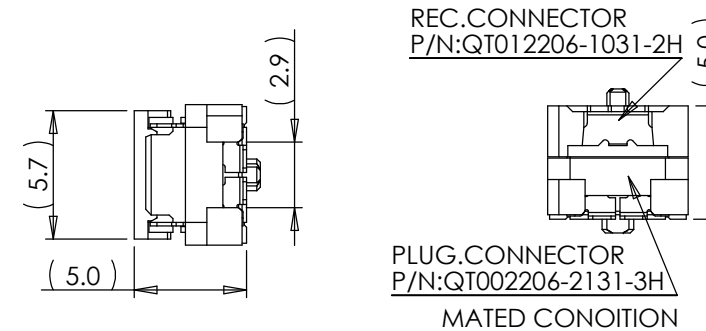
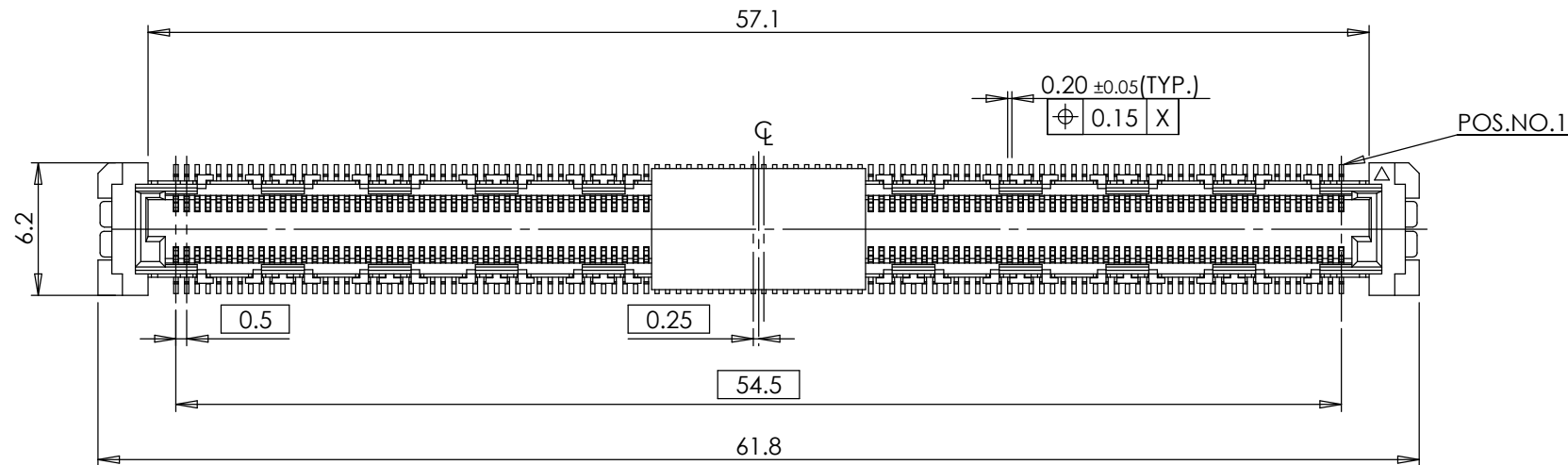
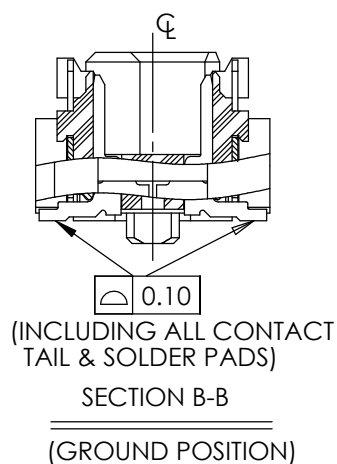
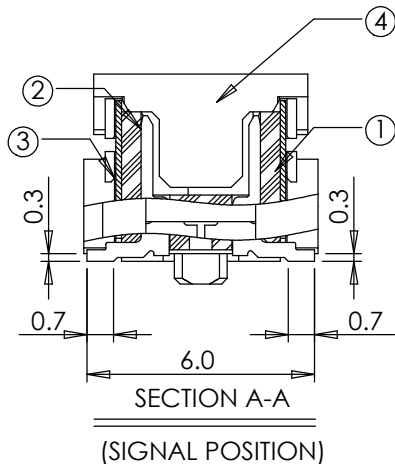
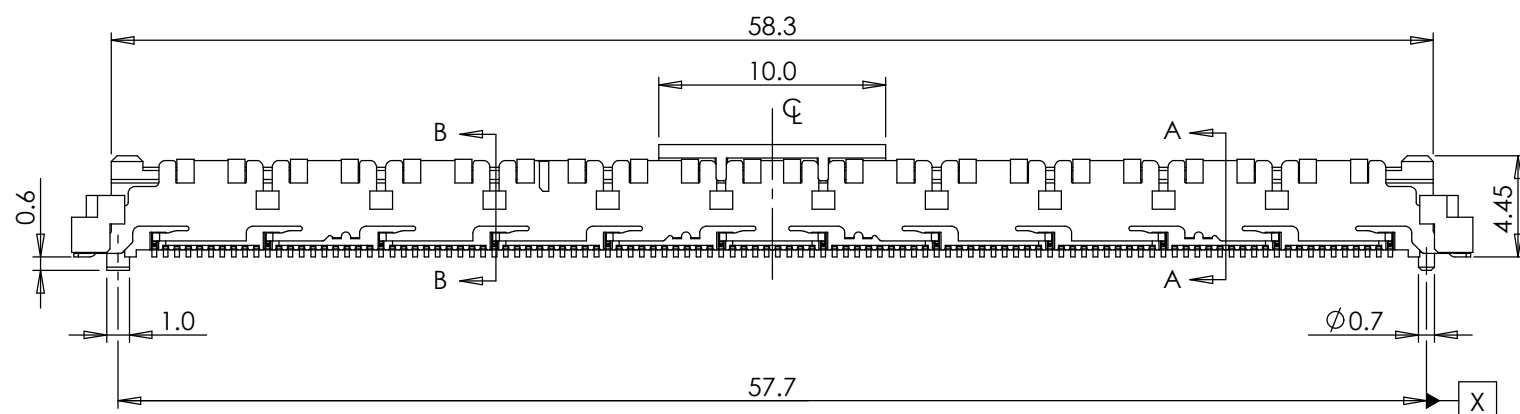


SOLID WORKS GENERATED DRAWING, DON'T CHANGE BY HAND.

REV.	ECN NO.	APPD.
A	BC-08-7140350	H.J.Yu
B	BC-08-7150285	H.J.Yu
C	BC-11-0111476	Y.H.Mao
D	BC-17-0037137	Davy Bu



- NOTES:
- DIMENSION SHOULD BE INTERPRETED PER ASME Y14.5M-1994.
 - ELECTRICAL CHARACTERISTICS:
 - CONTACT CURRENT RATING: 0.5A MAX. PER CONTACTS.
 - DIELECTRIC WITHSTANDING VOLTAGE: 200 VAC RMS FOR 1 MINUTE.
 - LOW LEVEL CONTACT RESISTANCE: 55mΩ MAX.(INITIAL) 75mΩ MAX.(AFTER)
 - MECHANICAL CHARACTERISTICS:
 - TOTAL INSERTION FORCE: 20.0KGF MAX.
 - TOTAL WITHDRAWAL FORCE: 2.2KGF MIN.
 - DURABILITY: 60 MATING CYCLES.
 - OPERATING TEMPERATURE: -40°C TO +105°C.
 - PLEASE CONTACT FOXCONN SALES REPRESENTATIVE TO VERIFY PRODUCT DETAIL & AVAILABILITY.

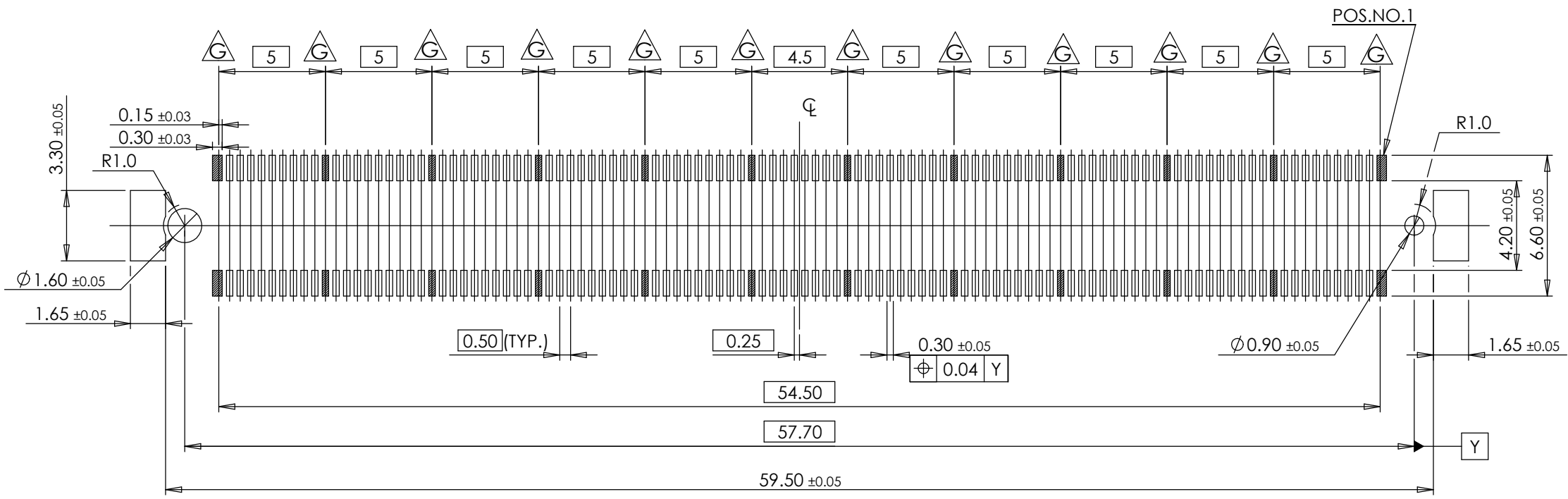


ITEM	DESCRIPTION	MATERIAL	QTY	REMARK
④	PICK-UP CAP	THERMCPLASTIC	1	
③	METAL SHELL	COPPER ALLOY	2	PD FLASH ON THE SOLDER AREA
②	CONTACT	COPPER ALLOY	220	AU PLATING ON CONTACT AREA AU PLATING ON SOLDER AREA
①	HOUSING	THERMCPLASTIC	1	COLOR:BLACK,UL94V-0

X. ± 0.25	X° ± 3.0°	UNITS	mm	NAME(INTENDED USE) 0.5P 220POS.PLUG H=4.45mm BTB CONN.	FOXCONN INTERCONNECT TECHNOLOGY LIMITED.
.X ± 0.20	.X° ± 1.5°	MAT'L			
.XX ± 0.15	.XX°	FINISH		PART NO.(INTENDED USE) QT002206-2131-3H	CLASS <input type="checkbox"/> CONFIDENTIAL <input type="checkbox"/> SECRET <input checked="" type="checkbox"/> GENERAL
.XXX±	.XXX°±		Q'TY		APPD: Davy Bu
THESE DRAWINGS AND SPECIFICATIONS ARE THE PROPERTY OF FOXCONN INTERCONNECT TECHNOLOGY LIMITED. AND SHALL NOT BE REPRODUCED COPIED OR USED IN ANY MANNER WITHOUT THE PRIOR WRITTEN CONSENT OF FOXCONN INTERCONNECT TECHNOLOGY LIMITED.				CHKD: J.K.Zhu	DWG NO.: 323-0000-1580
				DR: Jack Zhang 12/04'17	SCALE SHEET REV. N/A 1/3 D

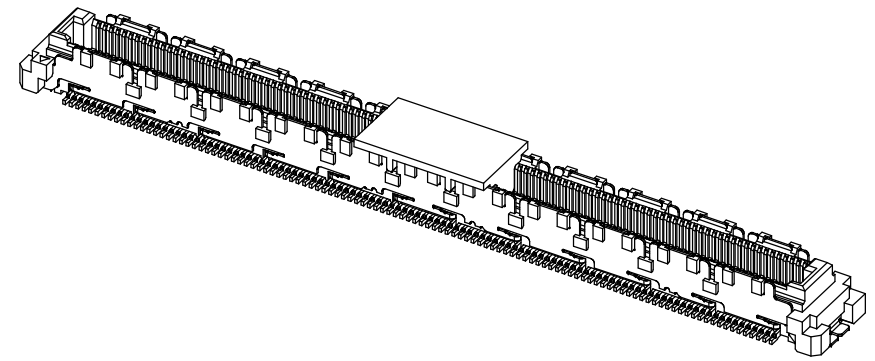
SOLID WORKS GENERATED DRAWING, DON'T CHANGE BY HAND.

REV.	ECN.NO.	APPD.



RECOMMEND STENCIL THICKNESS=0.15mm
REFERENCE PCB LAYOUT

NOTES:
 1.POS. OF GROUND CONTACTS:



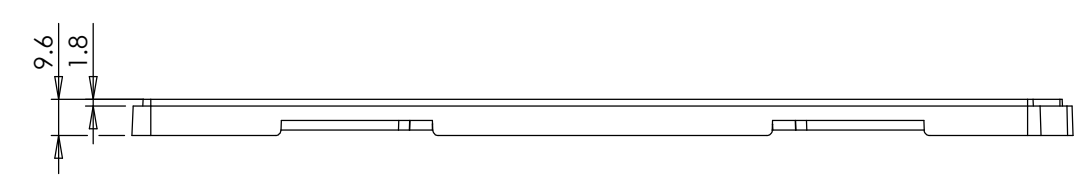
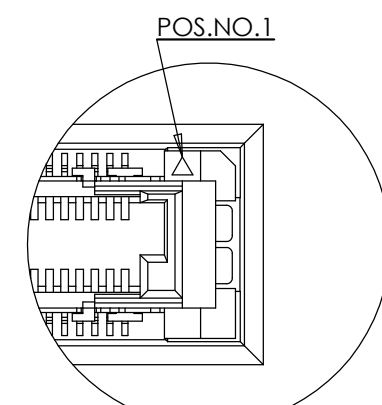
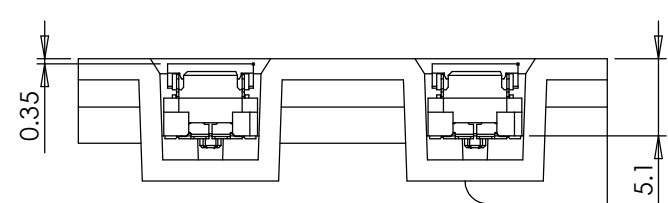
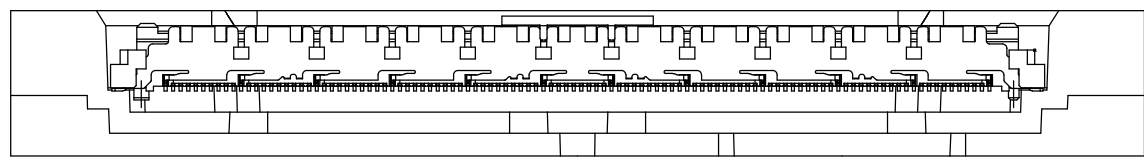
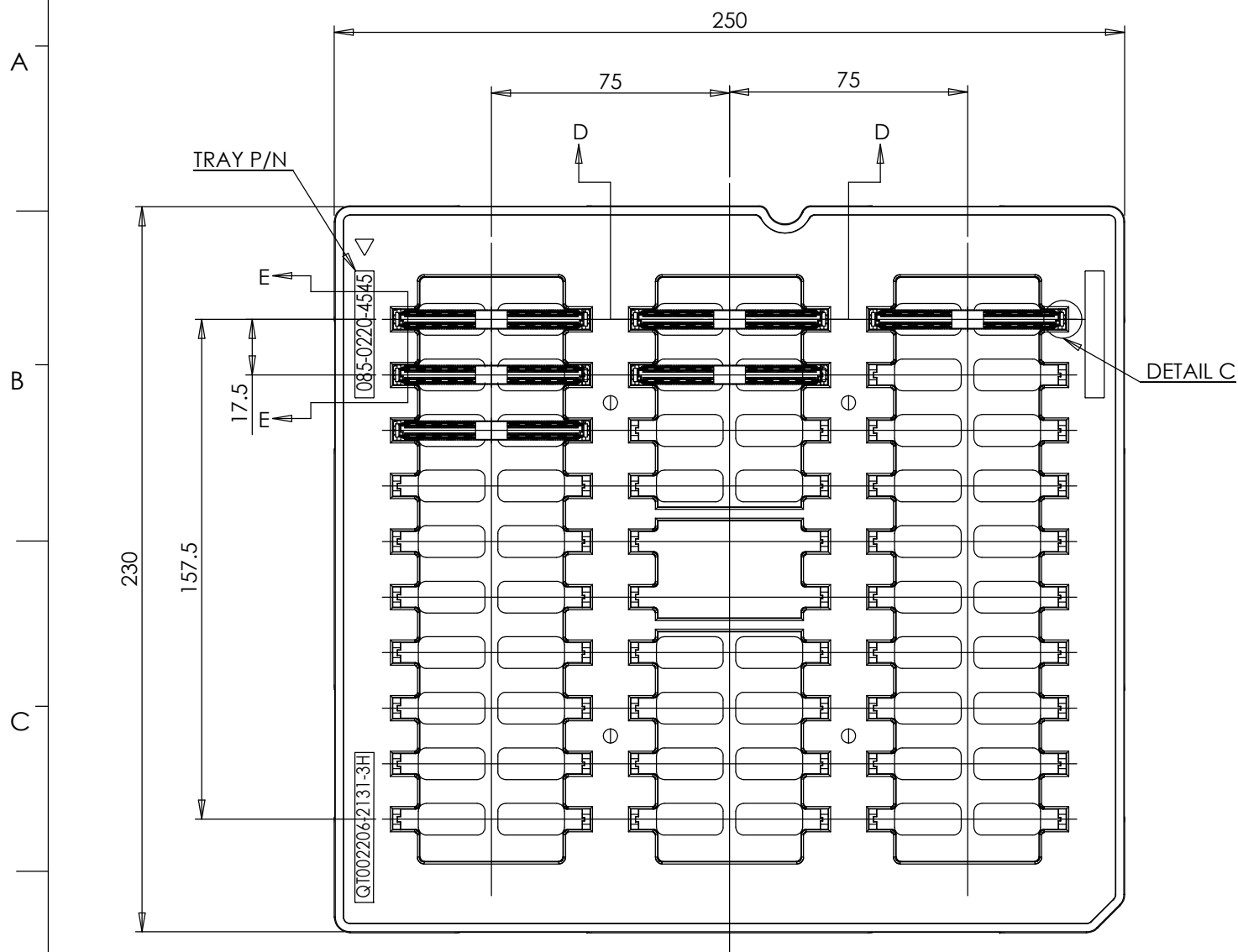
ISO VIEW (REFERENCE ONLY)

QT002206-2131-3H
 POS.NO. 220:220POS
 PLATING CODE 6:GOLD PLATING ON CONTACT AREA
 H:HALOGEN FREE AND LEAD FREE
 PACKAGE CODE 3:HARD TRAY W/ PICK-UP CAP


X. ± 0.25	X° ± 3.0°	UNITS mm	NAME(INTENDED USE) 0.5P 220POS,PLUG H=4.45mm BTB CONN.	FOXCONN INTERCONNECT TECHNOLOGY LIMITED.
.X ± 0.20	.X° ± 1.5°	MAT'L	PART NO.(INTENDED USE) QT002206-2131-3H	
.XX ± 0.15	.XX°±	FINISH	APPD: Davy Bu	CLASS <input type="checkbox"/> CONFIDENTIAL <input type="checkbox"/> SECRET <input checked="" type="checkbox"/> GENERAL
.XXX ±	.XXX°±		Q'TY	CHKD: J.K.Zhu
THESE DRAWINGS AND SPECIFICATIONS ARE THE PROPERTY OF FOXCONN INTERCONNECT TECHNOLOGY LIMITED, AND SHALL NOT BE REPRODUCED COPIED OR USED IN ANY MANNER WITHOUT THE PRIOR WRITTEN CONSENT OF FOXCONN INTERCONNECT TECHNOLOGY LIMITED.			DR: Jack Zhang 12/04'17	DWG NO.: 323-0000-1580

SOLID WORKS GENERATED DRAWING, DON'T CHANGE BY HAND.

REV.	ECN.NO.	APPD.
------	---------	-------



NOTES:
1. PACKAGE NUMBER OF CONECTORS : 28 PCS/TRAY.

X. ± 0.30	X° ±	UNITS	mm	NAME (INTENDED USE) 0.5P 220POS.PLUG H=4.45mm BTB CONN.	 FOXCONN INTERCONNECT TECHNOLOGY LIMITED.		
.X ± 0.30	.X° ±	MAT'L					
.XX ± 0.30	.XX° ±	FINISH		PART NO. (INTENDED USE) QT002206-2131-3H	CLASS <input type="checkbox"/> CONFIDENTIAL <input type="checkbox"/> SECRET <input checked="" type="checkbox"/> GENERAL		
.XXX ±	.XXX° ±		Q'TY		APPD: Davy Bu	TITLE: CUSTOMER DRAWING	
THESE DRAWINGS AND SPECIFICATIONS ARE THE PROPERTY OF FOXCONN INTERCONNECT TECHNOLOGY LIMITED, AND SHALL NOT BE REPRODUCED COPIED OR USED IN ANY MANNER WITHOUT THE PRIOR WRITTEN CONSENT OF FOXCONN INTERCONNECT TECHNOLOGY LIMITED.				CHKD: J.K.Zhu	DWG NO.: 323-0000-1580		
				DR: Jack Zhang 12/04'17	<table border="1"> <tr> <td>SCALE</td> <td>SHEET</td> <td>REV.</td> </tr> <tr> <td>N/A</td> <td>3/3</td> <td>D</td> </tr> </table>	SCALE	SHEET
SCALE	SHEET	REV.					
N/A	3/3	D					